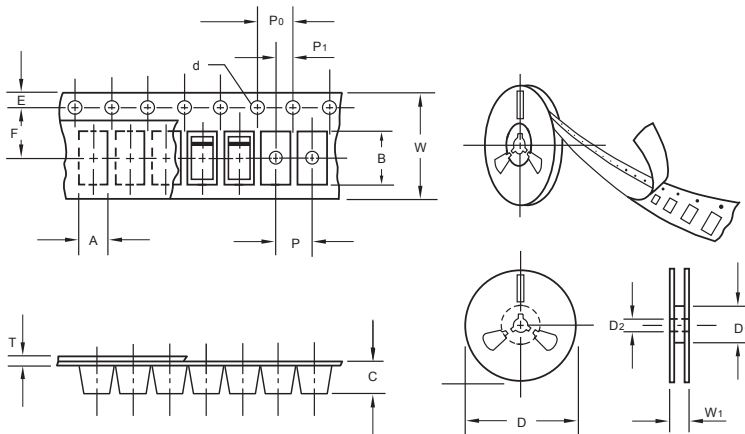




S5AB THRU S5MB

Reverse Voltage - 50 to 1000 Volts Forward Current - 5.0 Ampere

Packing information



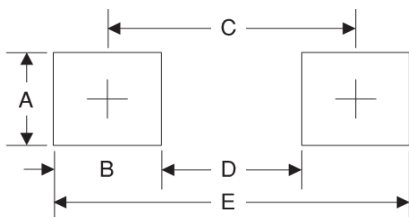
| Item | Symbol | Tolerance | SMB |
|---------------------------|----------------|-----------|--------|
| Carrier width | A | 0.1 | 3.81 |
| Carrier length | B | 0.1 | 5.41 |
| Carrier depth | C | 0.1 | 2.42 |
| Sprocket hole | d | 0.05 | 1.50 |
| 13" Reel outside diameter | D | 2.0 | 330.00 |
| 13" Reel inner diameter | D ₁ | min | 50.00 |
| Feed hole diameter | D ₂ | 0.5 | 13.00 |
| Sprocket hole position | E | 0.1 | 1.75 |
| Punch hole position | F | 0.1 | 5.55 |
| Punch hole pitch | P | 0.1 | 8.00 |
| Sprocket hole pitch | P ₀ | 0.1 | 4.00 |
| Embossment center | P ₁ | 0.1 | 2.00 |
| Overall tape thickness | T | 0.1 | 0.30 |
| Tape width | W | 0.3 | 12.00 |
| Reel width | W ₁ | 1.0 | 12.30 |

Note: Devices are packed in accordance with EIA standard RS-481-A and specifications listed above.

Reel packing

| PACKAGE | REEL SIZE | REEL (pcs) | COMPONENT SPACING (mm) | BOX (pcs) | INNER BOX (mm) | REEL DIA. (mm) | CARTON SIZE (mm) | CARTON (pcs) | APPROX. GROSS WEIGHT (kg) |
|---------|-----------|------------|------------------------|-----------|----------------|----------------|------------------|--------------|---------------------------|
| SMB | 13" | 3,000 | 4.0 | 6,000 | 190*190*41 | 330 | 365*365*360 | 48,000 | 14.0 |

Suggested Pad Layout



| Symbol | Unit (mm) | Unit (inch) |
|--------|-----------|-------------|
| A | 2.8 | 0.110 |
| B | 2.4 | 0.094 |
| C | 4.6 | 0.181 |
| D | 2.2 | 0.086 |
| E | 7.0 | 0.276 |

Important Notice and Disclaimer

Microdiode Electronics (Jiangsu) reserves the right to make changes to this document and its products and specifications at any time without notice. Customers should obtain and confirm the latest product information and specifications before final design, purchase or use.

Microdiode Electronics (Jiangsu) makes no warranty, representation or guarantee regarding the suitability of its products for any particular purpose, nor does Microdiode Electronics (Jiangsu) assume any liability for application assistance or customer product design. Microdiode Electronics (Jiangsu) does not warrant or accept any liability with products which are purchased or used for any unintended or unauthorized application.

No license is granted by implication or otherwise under any intellectual property rights of Microdiode Electronics (Jiangsu).

Microdiode Electronics (Jiangsu) products are not authorized for use as critical components in life support devices or systems without express written approval of Microdiode Electronics (Jiangsu).