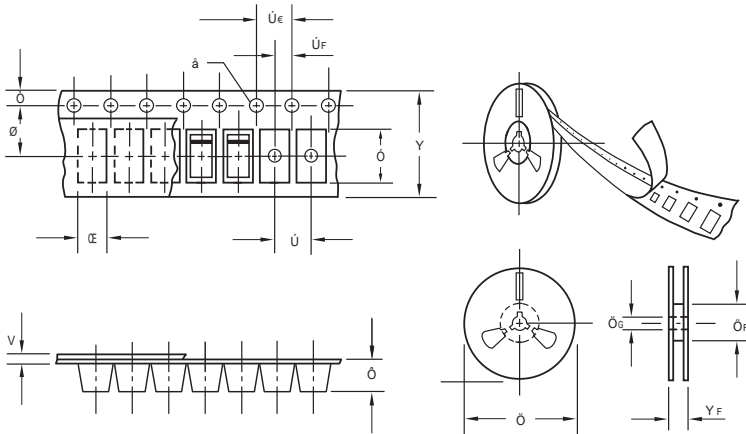




G&5 K'H<F I'G&A K

Reverse Voltage -)\$ hc %\$\$\$ Volts Forward Current - &.0 Ampere

Packing information



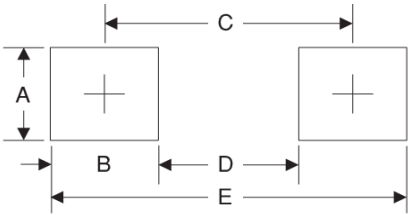
00^ {	Ù^ { à [[V [^ [] & ^	ÙÙÖEFGHŠ
Öæ!i^!A , iác@	œ	€€F	G€F
Öæ!i^!H^) ^c@	ó	€€F	4.€
Öæ!i^!iá^) c@	ô	€€F	1€I
Û] : [& ^ c@ [^	á	€€€Í	F€Í
ÏÄÛ^!H [^c^iá^iáæ { ^c^!	ö	G€€	FÍI€€
ÏÄÛ^!H [^!iáæ { ^c^!	öF	{ i }	I€€
Ø^!á@ [^!iáæ { ^c^!	ög	€€Í	FH€€
Û] : [& ^ c@ [[^!] [•iá []	ó	€€F	F€Í
Ù^ } & @ [[^!] [•iá []	ø	€€F	H€I
Ù^ } & @ [[^!] z&@	ú	€€F	I€€
Û] : [& ^ c@ [[^!] z&@	ú€	€€F	I€€
Ö { á [•• { ^ } c@ & ^) c^!	úF	€€F	G€€
Uc^!æ [] kæ] ^c@iá [] ^••	V	€€F	€€GÍ
Væ] ^! , iác@	Y	€€H	8€Í
Û^!H , iác@	YF	F€€	F€Í

Þ [c^!Ö^c^!^•æ!i^!] z& [^!á] z& [] iáæ] & ^! , z&@Öc@ •c@] ái!ÖÙ€Í I F€€æ] á [•] ^!i-í&ci [] • [] i•c^!áæ [c^!

Reel packing

Ú€ÖŠ€ÖÖ	ÙÖÖŠ ÛÙZÖ	ÛÖÖŠ Ç] & • D	ÖÙTÚÙPÖP V ÛÙ€ÖÙPÖ Ç { B { D	ÓÚÝ Ç] & • D	ØPØÖÙ ÓÚÝ Ç { B { D	ÛÖÖŠ ÖÙ€€ Ç { B { D	Ö€ÛVÙP ÛÙZÖ Ç { B { D	Ö€ÛVÙP Ç] & • D	€€ÙÙÙÝ€ ÖÙÙÙÙY ÖÙÖP V Ç \ * D
ÙÙÖEFGHŠ	ÏÄ	3€€€€	I€€	IÍ€€€€	210E208E20H	FÍÍ	4HEEIH€EGHÍ	FÍ€€€€€	J€€

Suggested Pad Layout



Gma Vc'	I b] h' fl a a t	I b] h'] b W \ t
œ	F€G	€€€ÍÍ
ó	1.G	€€€ÍÍ
ô	3.G	€€FGÍ
ö	G	€€€ÍJ
ö	I€I	€€FÍH

Important Notice and Disclaimer

Microdiode Electronics (Jiangsu) reserves the right to make changes to this document and its products and specifications at any time without notice. Customers should obtain and confirm the latest product information and specifications before final design, purchase or use.

Microdiode Electronics (Jiangsu) makes no warranty, representation or guarantee regarding the suitability of its products for any particular purpose, not does Microdiode Electronics (Jiangsu) assume any liability for application assistance or customer product design. Microdiode Electronics (Jiangsu) does not warrant or accept any liability with products which are purchased or used for any unintended or unauthorized application.

No license is granted by implication or otherwise under any intellectual property rights of Microdiode Electronics (Jiangsu).

Microdiode Electronics (Jiangsu) products are not authorized for use as critical components in life support devices or systems without express written approval of Microdiode Electronics (Jiangsu).