



MBRX120 THRU MBRX160

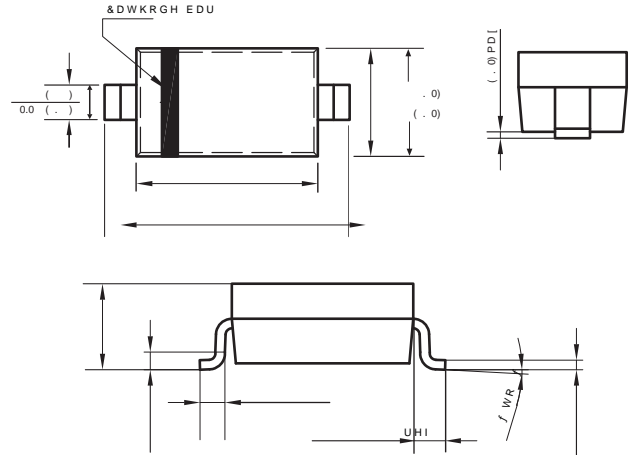
Reverse Voltage 20-40 Volts Forward Current - 1.0 Ampere

SURFACE MOUNT SCHOTTKY BARRIER RECTIFIER

Features

- ◆ Fast switching speed
- ◆ Surface mount package ideally suited
- ◆ for automatic insertion
- ◆ For general purpose switching applications High
- ◆ conductance

SOD-123



Mechanical Data

Case: JEDEC SOD-123 molded plastic body
 Terminals: Plated leads solderable per MIL-STD-750, Method 2026
 Polarity: Polarity symbols marked on case
 Weight : 0.0007 ounce, 0.02 grams
 Marking: MBRX120:X2, MBRX130:X3
 MBRX140:X4, MBRX160:X6



Dimensions in inches and (millimeters)

Absolute Maximum Ratings at 25 °C

MDD Catalog Number	SYMBOLS	MBRX120	MBRX130	MBRX140	MBRX160	UNITS
Maximum repetitive peak reverse voltage	V_{RRM}	20	30	40	60	VOLTS
Maximum RMS voltage	V_{RMS}	14	21	28	42	VOLTS
Maximum DC blocking voltage	V_{DC}	20	30	40	60	VOLTS
Maximum average forward rectified current at $T_L=90^{\circ}C$	$I_{(AV)}$	1.0				Amps
Peak forward surge current 8.3ms single half sine-wave superimposed on rated load (JEDEC Method)	I_{FSM}	20.0				Amps
Maximum instantaneous forward voltage at 1.0A	V_F	0.5	0.55		0.72	Volts
Maximum DC reverse current $T_J=25^{\circ}C$ at rated DC blocking voltage	I_R	0.3				mA
Typical junction capacitance (NOTE 1)	C_J	30				pF
Operating junction temperature range	T_J	-55 to +150				$^{\circ}C$
Storage temperature range	T_{STG}	-50 to +150				$^{\circ}C$

Note: 1.. High Temperature Solder Exemption Applied, see EU Directive Annex 7



MBRX120 THRU MBRX160

Reverse Voltage 20-40 Volts Forward Current - 1.0 Ampere

Typical Characteristics

Figure 1
Typical Forward Characteristics

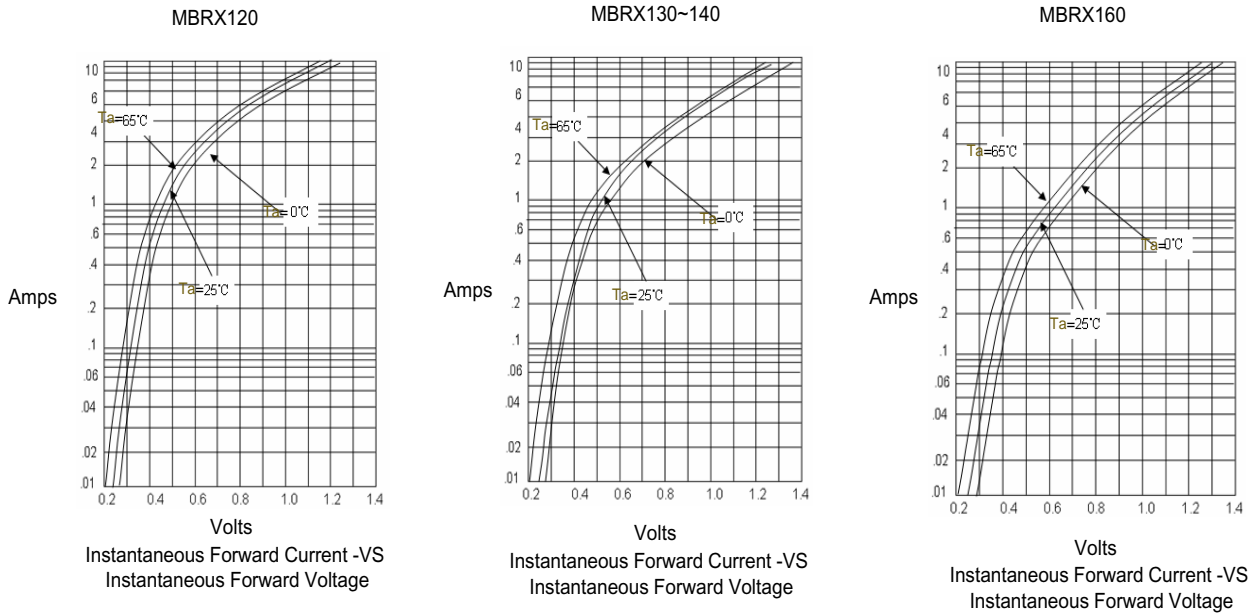
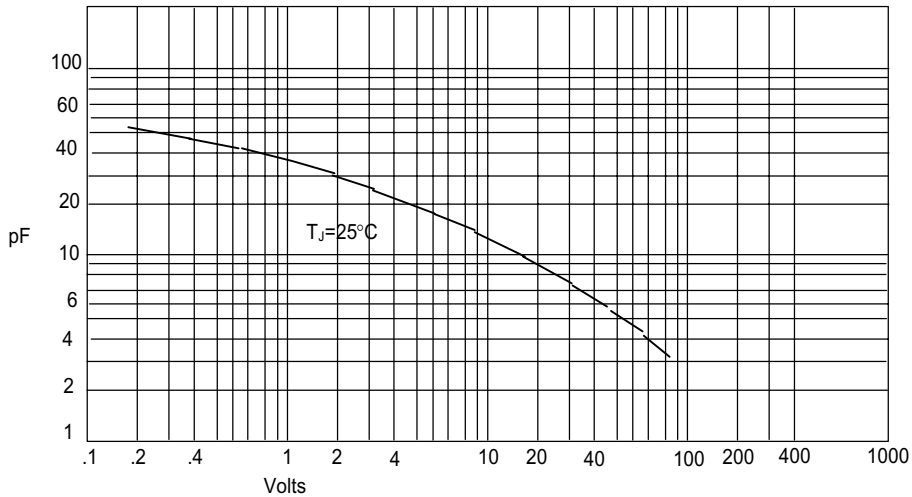


Figure 2
Junction Capacitance



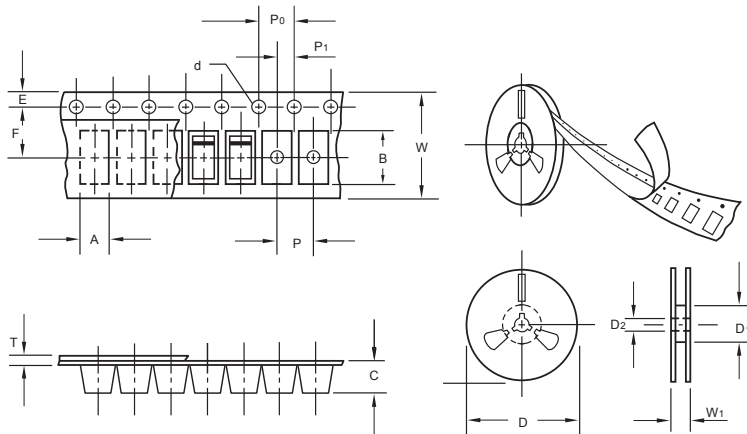
The curve above is for reference only.



MBRX120 THRU MBRX160

Reverse Voltage 20-40 Volts Forward Current - 1.0 Ampere

Packing information



unit:mm

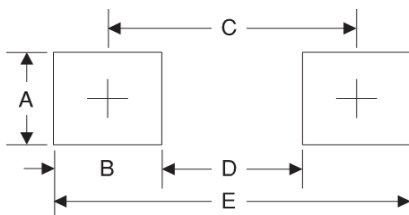
Item	Symbol	Tolerance	SOD-123
Carrier width	A	0.1	2.1
Carrier length	B	0.1	4.0
Carrier depth	C	0.1	1.60
Sprocket hole	d	0.05	1.55
7" Reel outside diameter	D	2.0	178.00
7" Reel inner diameter	D ₁	min	50.0
Feed hole diameter	D ₂	0.5	13.00
Sprocket hole position	E	0.1	1.75
Punch hole position	F	0.1	3.50
Punch hole pitch	P	0.1	4.00
Sprocket hole pitch	P ₀	0.1	4.00
Embossment center	P ₁	0.1	2.00
Overall tape thickness	T	0.1	0.25
Tape width	W	0.3	8.15
Reel width	W ₁	1.0	10.5

Note: Devices are packed in accordance with EIA standard RS-481-A and specifications listed above.

Reel packing

PACKAGE	REEL SIZE	REEL (pcs)	COMPONENT SPACING (m/m)	BOX (pcs)	INNER BOX (m/m)	REEL DIA, (m/m)	CARTON SIZE (m/m)	CARTON (pcs)	APPROX. GROSS WEIGHT (kg)
SOD-123	7"	3,000	4.0	45,000	210*208*203	178	430*430*235	180,000	9.0

Suggested Pad Layout



Symbol	Unit (mm)	Unit (inch)
A	1.2	0.047
B	1.2	0.047
C	3.2	0.126
D	2.0	0.079
E	4.4	0.173

Important Notice and Disclaimer

Microdiode Electronics (Jiangsu) reserves the right to make changes to this document and its products and specifications at any time without notice. Customers should obtain and confirm the latest product information and specifications before final design, purchase or use.

Microdiode Electronics (Jiangsu) makes no warranty, representation or guarantee regarding the suitability of its products for any particular purpose, not does Microdiode Electronics (Jiangsu) assume any liability for application assistance or customer product design. Microdiode Electronics (Jiangsu) does not warrant or accept any liability with products which are purchased or used for any unintended or unauthorized application.

No license is granted by implication or otherwise under any intellectual property rights of Microdiode Electronics (Jiangsu).

Microdiode Electronics (Jiangsu) products are not authorized for use as critical components in life support devices or systems without express written approval of Microdiode Electronics (Jiangsu).